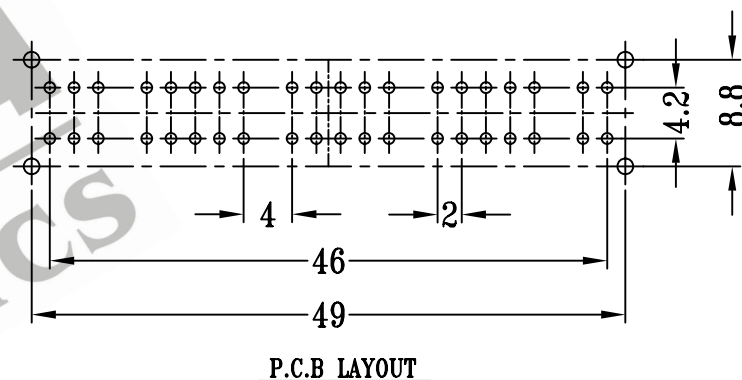
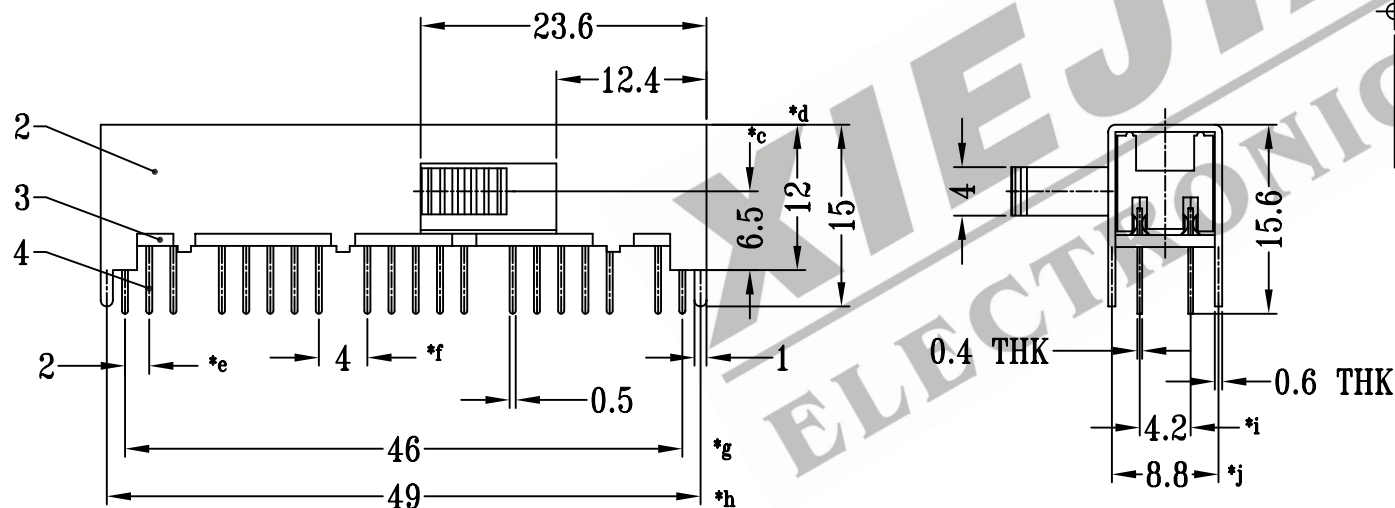
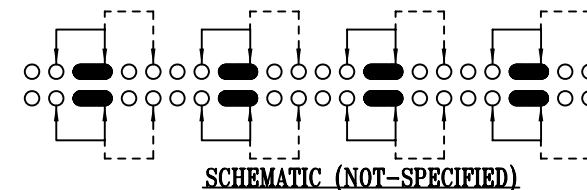
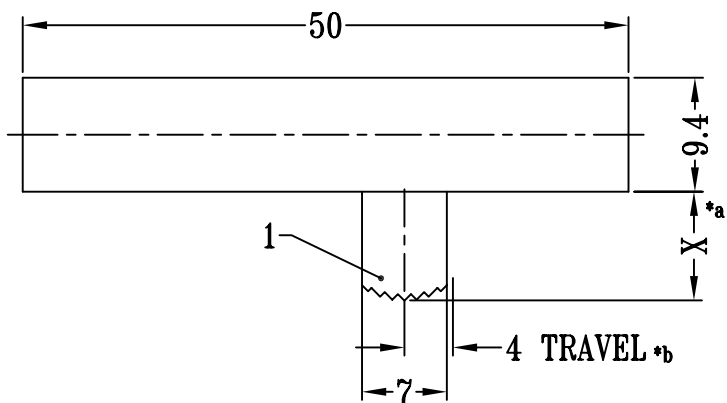


CAD FILE:



注:带"\*"表示关键尺寸(10个)

NO.	PART NAME	MATERIAL	Q'TY	FINISHING	TOLERANCE UNLESS SPECIFIED	SHENZHEN XIEJIA ELECTRONICS CO.,LTD.					
8						ISSUE		DATE		DESCRIPTIONS	APPD.
7	CONTACT (CLIP)	PBS STRIP	8	Ag PLATED	WITHIN: 1.5±0.1mm OVER : 1.5±0.2mm						
6	STEEL BALL	STEEL	1	NATURAL							
5	SPRING	STEEL WIRE	1	TEMPER							
4	TERMINAL	BRASS STRIP	40	Ag PLATED OVER Ni PLATED		UNIT : MM		DRWG NO.: XJ-DR-SK82H01-00			
3	TERMINAL BASE	PHENOLIC RESIN	1	NATURAL		SCALE: 3:2		DWN.	ZHOUYU	2001-8-5	
2	FRAME	STEEL STRIP	1	Ni PLATED				CHK'D	FANGYING	2001-8-5	
1	KNOB	POM	1	BLACK				APPD.	KANGXINAN	2001-8-5	
					ALL MATERIALS MUST BE COMPLIANT TO ROHS						